

Key Features

- Provides early warning of conveyor or elevator belt misalignment
- Hinged door allows easy installation and access
- Straightforward installation, new or retrofit
- Facilitates regular, proactive maintenance inspections
- 3 unique door assemblies (hinged, adjustable, and Uni-Strut)
- Protects plant machinery prevents unscheduled downtime, and aids in employee safety



Shown with TT420S-LT
temperature sensor (right-angle)

Standard Hinged Rub Block Door Assembly

Designed for installation on most elevators and conveyors and allows for quick and easy inspection of belts and replacement of worn rub blocks saving time and promoting regular maintenance inspections. Standard rub block door assemblies can be installed on new equipment or as a retrofit upgrade.



Shown with TT420S-LT
temperature sensor (right-angle)

Adjustable Rub Block Door Assembly*

Designed for installation in difficult to monitor locations such as enclosed conveyors or equipment with frames that interfere with optimum sensor mounting. This assembly has a hinged door with slots for attaching the rub block and sensor. After installation the rub block can be slid approximately one inch into its sensing position so that belt misalignment can be quickly detected in previously difficult to monitor locations.

* Patent pending (adjustable design)



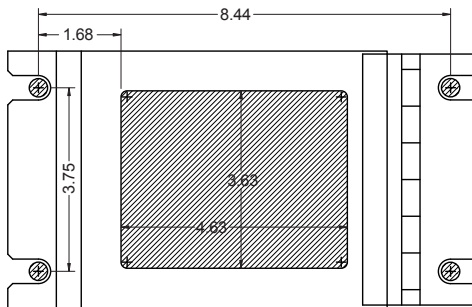
Shown with TT420S-LT
temperature sensor (right-angle)

Uni-Strut Rub Block Door Assembly

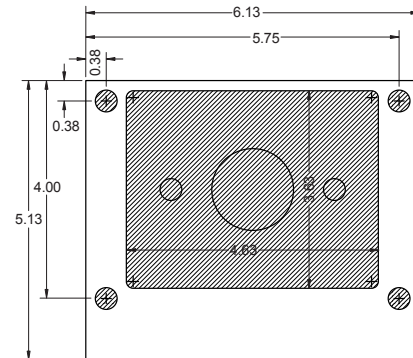
Designed for installation on non-enclosed conveyors, the brass rub block is mounted on the side of the door facing the belt and Uni-Strut can be directly connected to the other side. This assembly allows easy vertical and horizontal adjustment of the rub block for proper belt misalignment monitoring. No need to fabricate expensive and time consuming custom mounting brackets.

Dimensional Drawings (Dimensions in Inches)

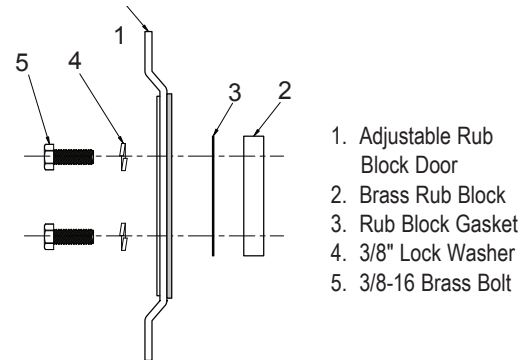
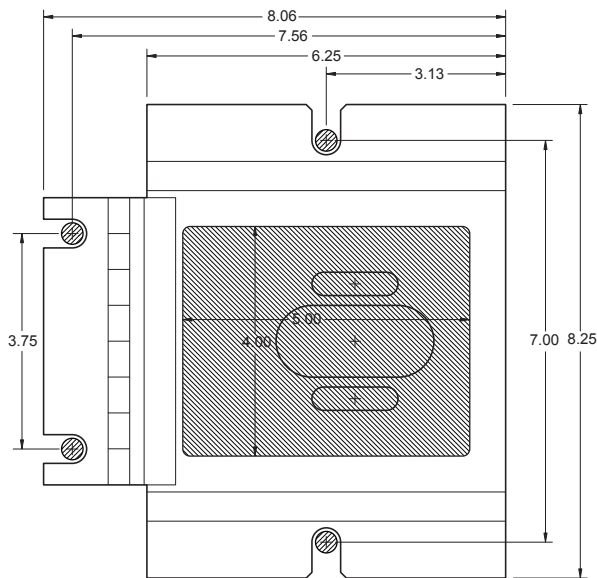
Standard Hinged Rub Block Door Assembly



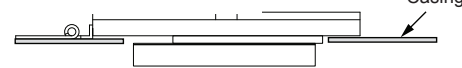
Uni-Strut Rub Block Door Assembly



Adjustable Rub Block Door Assembly



Door with rub block centered.



Door with rub block slid all the way to the side.



Additional spacers are available for thicker casings.

Ordering

Rub Block Door Assemblies	Part Number
Standard Door Including Brass Rub Block	800-002800
Adjustable Rub Block Door Including Brass Rub Block	800-003000
Uni-Strut Door Assembly Including Brass Rub Block	776-001200

Options

Brass Rub Block 2" x 4" x 1/2" (1/4-28 Tap for use with TT420S temperature sensor)	301-000100
Brass Rub Block 2" x 4" x 1/2" (3/8-16 Tap for use with TT420S-LT temperature sensor)	301-000101
Brass Rub Block (Adjustable Door Only) 3" x 4 1/4" x 1/2" (3/8-16 Tap for use with TT420S-LT temperature sensor)	301-000102
Rub Block Spacer (0.18" thick)	776-001000

Customization

If one of our standard products does not meet your specifications, please call one of our applications specialists. Many of our products can be customized to fit specific needs.

Additional Information

See Rub Block Door Assemblies Installation and Operating Manual for complete details.