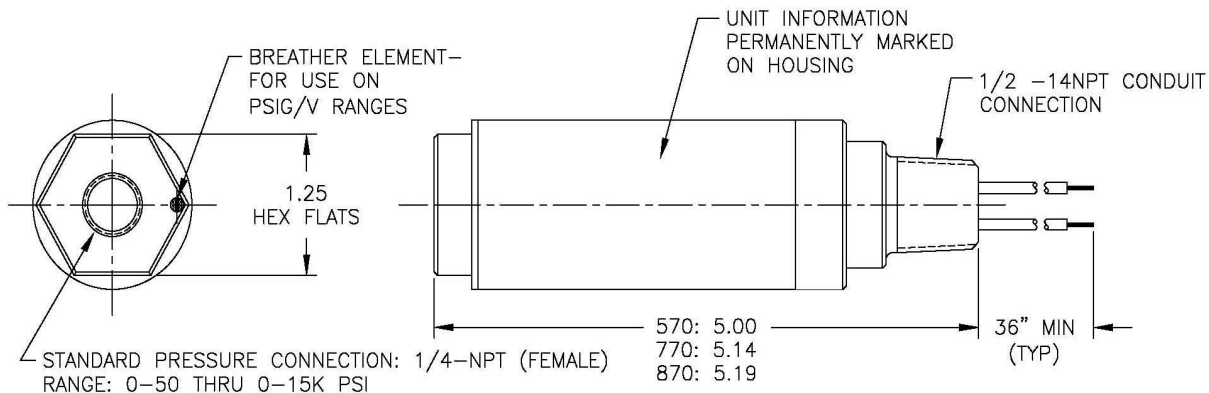








### FOR RANGES 0-15K PSI



### FOR RANGES 20K-100K PSI

